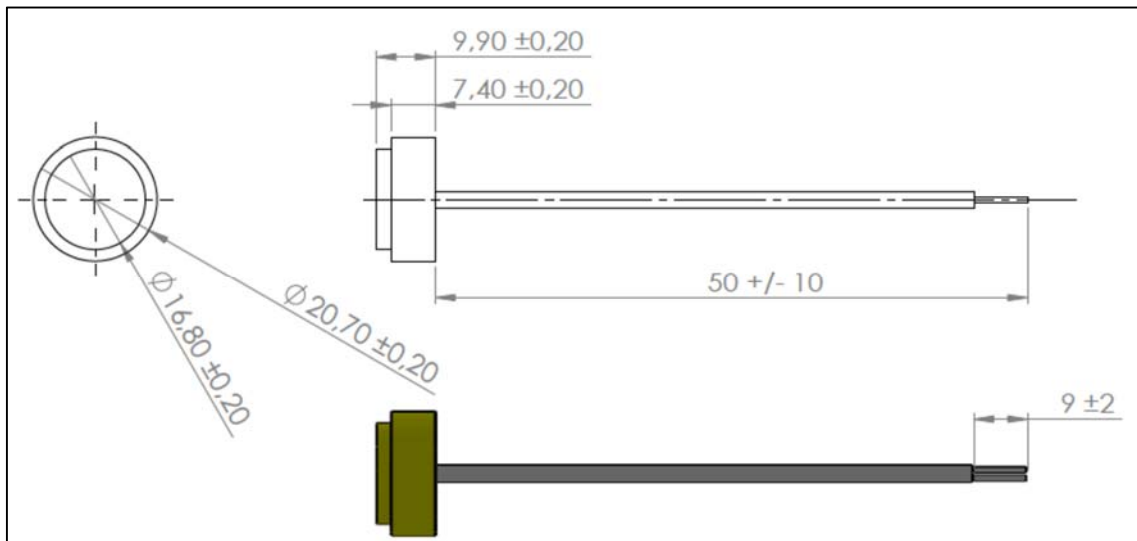
	<p align="center">Data sheet for ultrasound transducer: SQ-UST_G_0002-01</p>
	<p>Application: Liquid Flow Sensor</p>
	<p>Description: Type: Immersion transducer Center frequency: 975 ±30 kHz Aperture: 17 mm Lateral beamwidth (FWHM): ca. 10° Resonator: PZT piezoelectric ceramics Dimensions: ca. 20 mm x 10 mm Connection: fixed cable 0,5m</p>
<p>Environmental conditions, application conditions: Medium: water Temperature range: 4°C ... 130°C Storage Condition: -25°C ... 55°C</p> <p>Remarks: Do not touch active area. Transducer can be used in pulse echo mode and transmission mode. Max. transmit voltage: 5Vpp at N=5 cycles, pulse repeat frequency (PRF) 100Hz</p>	



Notice:

For the complete datasheet please ask the manufacturer

SonoQ GmbH

Sophie-Kraemer-Str. 8
66386 St. Ingbert
Germany

Tel: +49(6894)99 89 80-90

Fax: +49(6894)99 89 80-1

E-Mail: info@sonoq.de

www.sonoq.de

Copyrights & Disclaimer

Copyright SonoQ GmbH, Sophie-Kraemer-Str. 8, 66386 St. Ingbert, Germany-Europe. Trademarks Registered. All rights reserved. The material herein may not be reproduced, adapted, merged, translated, stored, or used without the prior written consent of the copyright owner.

Devices sold by SonoQ GmbH are covered by the warranty and patent indemnification provisions appearing in its General Terms of Trade. SonoQ GmbH makes no warranty, express, statutory, implied, or by description regarding the information set forth herein. SonoQ GmbH reserves the right to change specifications and prices at any time and without notice. Therefore, prior to designing this product into a system, it is necessary to check with SonoQ GmbH for current information. This product is intended for use in commercial applications. Applications requiring extended temperature range, unusual environmental requirements, or high reliability applications, such as military, medical life-support or life-sustaining equipment are specifically not recommended without additional processing by SonoQ GmbH for each application. This product is provided by SonoQ GmbH "AS IS" and any express or implied warranties, including, but not limited to the implied warranties of merchantability and fitness for a particular purpose are disclaimed.

SonoQ GmbH shall not be liable to recipient or any third party for any damages, including but not limited to personal injury, property damage, loss of profits, loss of use, interruption of business or indirect, special, incidental or consequential damages, of any kind, in connection with or arising out of the furnishing, performance or use of the technical data herein. No obligation or liability to recipient or any third party shall arise or flow out of SonoQ GmbH rendering of technical or other services.

SonoQ GmbH

Sophie-Kraemer-Str. 8
66386 St. Ingbert
Germany

Tel: +49(6894)99 89 80-90
Fax: +49(6894)99 89 80-1
E-Mail: info@sonoq.de
www.sonoq.de